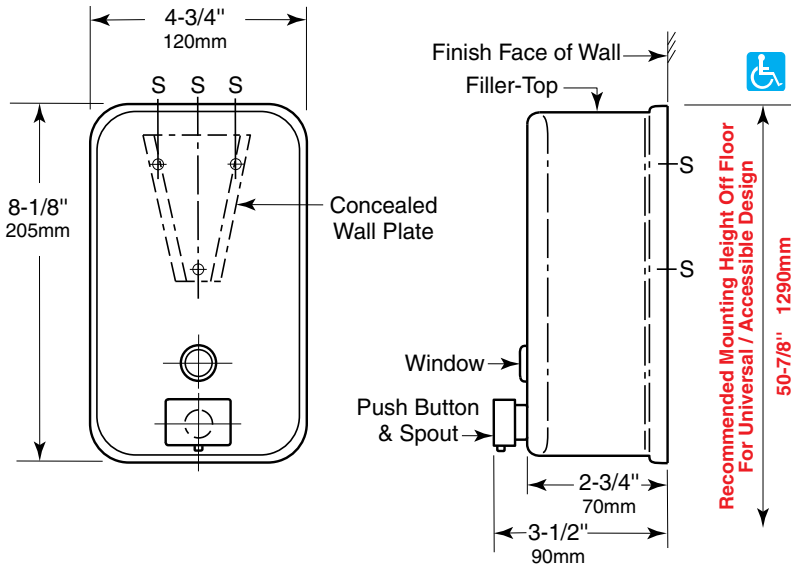




## Technical Data

# ClassicSeries® SURFACE-MOUNTED SOAP DISPENSER

# B-2111



### MATERIALS:

**Container** — 18-8, Type-304, 22-gauge (0.8mm) stainless steel with satin-finish. Body is drawn, one-piece, seamless construction. Back plate has mounting bracket attached. Furnished with concealed wall plate. Equipped with a clear acrylic refill-indicator window and a locked, hinged stainless steel lid for top filling. Capacity: 40-fl oz (1.2-L).

**Valve** — Black molded plastic push button and spout. Soap head-holding mushroom valve. Stainless steel spring. U-packing seal and duckbill. Antibacterial-soap-resistant plastic cylinder.

### OPERATION:

Corrosion-resistant valve dispenses commercially marketed all-purpose hand soaps. To prevent corrosion of the tank, use only chloride-free pH-neutral liquid soaps. Valve is operable with one hand, without tight grasping, pinching, or twisting of the wrist, and with less than 5 pounds of force (22.2 N) to comply with accessible design guidelines (including ADAAG in the U.S.A.). Window indicates when refill is required. The locked, hinged lid opens for top filling only with special key provided. Concealed, vandal-resistant mounting.

### INSTALLATION:

Secure wall plate to the wall with three sheet-metal screws, furnished by manufacturer, at points indicated by an S. Slide mounting bracket of container down onto wall plate and secure unit with furnished locking-screw. For plaster or dry wall construction, provide concealed backing to comply with local building codes and secure with sheet-metal screws furnished. For other wall surfaces, provide fiber plugs or expansion shields for use with sheet-metal screws furnished, or provide 1/8" (3mm) toggle bolts or expansion bolts.

**Note:** Surface-mount the dispenser plumb and true with valve 6" (150mm) to right or left of lavatory center. Provide 4" (100mm) minimum clearance from the lid to the underside of any horizontal projection. Push buttons should be located 44" (1120mm) maximum above the finish floor.

### SPECIFICATION:

Surface-mounted soap dispenser shall be Type-304 stainless steel with satin-finish. Corrosion-resistant valve shall dispense commercially marketed all-purpose hand soaps, non-iodine based soaps and do not use alcohol based sanitisers. To prevent corrosion of the tank, use only chloride-free pH-neutral liquid soaps. Valve shall be operable with one hand and with less than 5 pounds of force (22.2 N) to comply with accessible design guidelines (including ADAAG in the U.S.A.). Container shall be equipped with a clear acrylic refill-indicator window; a locked, hinged stainless steel lid for top filling; and shall have a capacity of 40-fl oz (1.2-L). Unit shall have concealed, vandal-resistant mounting.

**Surface-Mounted Soap Dispenser shall be Model B-2111 of Bobrick Washroom Equipment, Inc., Clifton Park, New York; Jackson, Tennessee; Los Angeles, California; Bobrick Washroom Equipment Company, Scarborough, Ontario; Bobrick Washroom Equipment Pty. Ltd., Australia; and Bobrick Washroom Equipment Limited, United Kingdom.**