



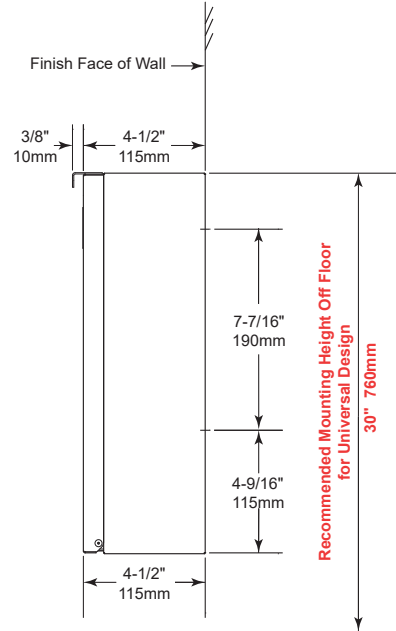
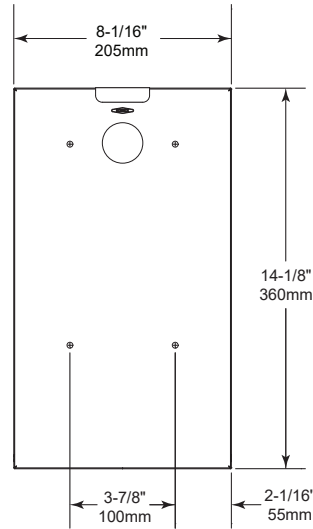
Technical Data

TrimLineSeries™ SURFACE-MOUNTED SANITARY NAPKIN DISPOSAL

B-35139

Specify Finish Required

- Stainless Steel, Satin Finish
- Matte Black Finish, please use model no. B-35139.MBLK



MATERIALS:

Cabinet — 18-8, Type-304, heavy-gauge stainless steel. All-welded construction. Exposed surfaces have satin-finish.

Skirt — 18-8, Type-304, stainless steel with satin-finish.

Door — 18-8, Type-304, 20-gauge (0.9mm) stainless steel with satin-finish. Secured to cabinet with two rivets and equipped with a magnet catch.

Waste Receptacle — 18-8, Type-304, heavy-gauge stainless steel. All-welded construction. Removable for servicing. Capacity: 0.6-gal. (2.3-L).

OPERATION:

To service waste receptacle, unlatch door and remove waste container. Cable door-swing limiter prevents damage to washroom accessories and walls.

INSTALLATION:

For partitions with particleboard or other solid core, secure with four #10 x 5/8" (4.8 x 16mm) sheet-metal screws (not furnished) at points indicated by an S, or provide through-bolts, nuts, and washers.

For hollow-core metal partitions, provide solid backing into which sheet-metal screws can be secured. If two units are installed back-to-back, then provide threaded sleeves and machine screws for the full thickness of partition.

For plaster or dry wall construction, provide concealed backing to comply with local building codes, then secure unit with sheet-metal screws.

For other wall surfaces, provide fiber plugs or expansion shields for use with sheet-metal screws, or provide 3/16" (5mm) toggle bolts or expansion bolts.

Replacement Parts:

Skirt Replacement Kit	35139-53
Waste Receptacle Replacement	35139-78

SPECIFICATION:

Surface-mounted sanitary napkin disposal shall be Type-304 stainless steel with all-welded construction; exposed surfaces shall have satin finish. Door shall be Type-304, 20-gauge (0.9mm) stainless steel with satin-finish. Secured to cabinet with two rivets and equipped with a magnet catch and cable door-swing limiter. Waste receptacle shall be Type-304, heavy-gauge stainless steel. All-welded construction with a capacity of 0.6-gal. (2.3-L).

Surface-Mounted Sanitary Napkin Disposal shall be Model B-35139 of Bobrick Washroom Equipment, Inc., Clifton Park, New York; Jackson, Tennessee; Los Angeles, California; Bobrick Washroom Equipment Company, Scarborough, Ontario; Bobrick Washroom Equipment Pty. Ltd., Australia; and Bobrick Washroom Equipment Limited, United Kingdom.